

# PALILLOS 2LT LED Wall Mount

## 3-404-xx

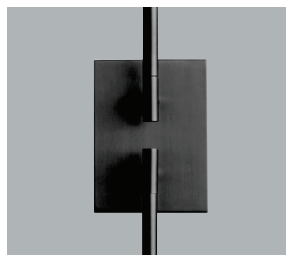
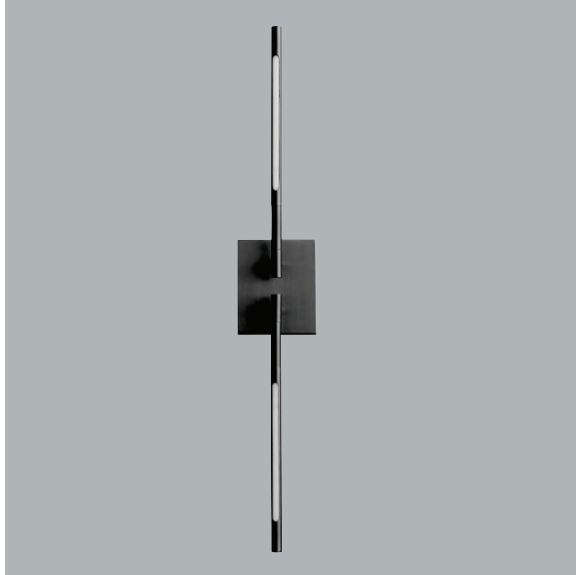
oxygen

FIXTURE TYPE \_\_\_\_\_

LOCATION \_\_\_\_\_

PROJECT \_\_\_\_\_

DATE \_\_\_\_\_

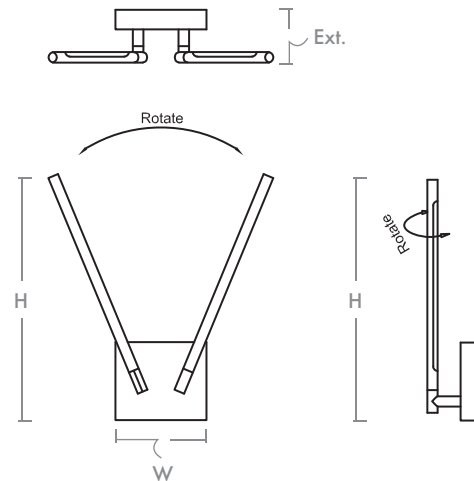


-15 Black



-40 AGB

- LIGHT SOURCE** (2) X 8W LED Array, Selectable Color Temp CRI 90
- LUMINAIRE POWER** TBD Input Power
- RATED LIFE** 50000 hr RL
- OPTIONAL COLOR TEMPERATURES** Selectable **(CCT)** 3000/3500/4000K
- LUMEN OUTPUT** TBD
- INPUT VOLTAGE** 120V
- DRIVER OUTPUT** TBD
- DIMMING** TRIAC and ELV dimming at 120V AC
- CONSTRUCTION** Cold Rolled Steel Housing
- DIFFUSER** - Matte White Acrylic
- FINISHES** -15 BK, -40 AGB
- MOUNTING** 4" Octagonal J-Box
- STANDARDS** ETL Listed, ADA Compliant, Conforms to UL STD 1598, Certified CAN/CSA STD C22.2 No 250.0.



**DIMENSIONS**

**W:** 5.5"  
**H:** 14.5"  
**Ext:** 3.25"

Order example for standard fixture:  
**3-404-15** (x-xxx: LED Sequence # / -xx: Finish)

